

**AgileVIEW**®

Control Consoles for Flat Screen Displays

 **ImageVision**  
Modular Consoles®

[www.imagevisioninc.com](http://www.imagevisioninc.com)

# Product Profile

— Links to *PROJECT PHOTOS & OPTIONS ALBUMS* Inside —

## COMPLETE CONSOLE FURNITURE SOLUTIONS

ALL-STEEL CONSTRUCTION    Looks better LONGER

MODULAR UNIT DESIGN    Future FLEXIBILITY

CUSTOM COLORS    That EXTRA TOUCH

Laminated Work Surfaces    Powder Coat Finish    Integral Cable Management

Drawers    Control Enclosures    Bookcases    Slide-Out Trays    Sub-Panels    Equipment Racks

• **Control Rooms**    • **Security Furniture**    • **Command Centers**    • **Medical Imaging Solutions**

Proudly



All-Steel  
Built to Last  
Shipped Assembled  
Projects Around the World

888-664-6762

[www.imagevisioninc.com](http://www.imagevisioninc.com)

**AgileVIEW**® PRODUCT PROFILE - rev3A Copyright © 2011

## COMPANY PROFILE

[www.imagevisioninc.com](http://www.imagevisioninc.com)

### How to contact us:

Phone: 888-664-6762

Fax: 888-664-6761

Email: [consoles@imagevisioninc.com](mailto:consoles@imagevisioninc.com)

Mailing Address:

Physical Address:

**ImageVision Modular Consoles, Inc.**

PO BOX F (ALL MAIL)

1644 Hausmann Gin Road (NO MAIL)

La Grange, TX 78945-0170

La Grange, TX 78945-5924

### Who we are:

- Supplier of control room furniture, security console furniture, industrial computer furniture, medical imaging workstations, laboratory and technical furniture to fit virtually any industrial or commercial application
- By utilizing state-of-the-art communication tools we supply operator console projects all around the world
- Complementary partner products include 24-hour rated chairs, flat screen monitor mounts, monitor arms, LCD display desk stands, x-ray film viewers, and high-resolution medical displays and more...
- Our consoles are manufactured in fabrication facilities in Houston (ISO 9001:2008) and Magnolia, TX using ImageVision trademarks, product designs, fabrication drawings and specifications

### Primary industries, markets and applications served:

- Petroleum and chemicals production, refineries, pipelines, offshore platforms, pulp and paper, lumber, mining, metals, cement, glass, food & beverage, brewing, shipboard/marine workstations, electric power generation, satellite tracking stations and water-wastewater treatment
- Security console furniture for hospitals, airports, baggage handling, ports, railroads, dams, bridges, tunnels, military bases, command centers and commercial buildings
- New markets include: medical imaging workstations, adjustable height consoles and accessory products

### Our primary strengths:

- Heavy-duty all-steel console construction with innovative modular and highly flexible product design
- We ship fully assembled to reduce your console move in and set up costs
- Integral cable management for neat control console appearance; divided wire ways for power and control
- Personalized customer support; reliable and fast response; with flexibility to meet special needs
- Total quality management system with continuous process improvement in place
- 100% follow up on all orders to seek customer feedback and ensure satisfaction and continuous product improvement; [learn more...](#)

# OUR PRODUCT FAMILIES:

[Click to learn more...](#)



**CONTROL CONSOLES**  
tables and desks with fixed tops  
1, 2, or 3 screens high



dual or single top  
adjustable height tables  
provide optimum  
ergonomics



## CONTROL ROOM FURNITURE

www.imagevisioninc.com

### Product Profile

### Flat Screen Display Consoles

#### KEY FEATURES

All-steel construction for industrial and commercial use

Modular design for easy modification or expansion

Fully assembled for fast and easy set up

Integral cable management for neat clean appearance

Divided wire ways for separation of power and control

Durable powder coat finishes and laminates to match your decor

**Two Tier Styles  
Monitor Supports  
or Controls Turrets**



Control Room Furniture

Security Consoles

DCS Consoles

Medical Imaging Stations



All-Steel  
Built to Last  
Shipped Assembled  
Projects Around the World

888-664-6762  
www.imagevisioninc.com

## CONTROL ROOM CONSOLE

www.imagevisioninc.com

### Product Profile

### Screens to 3-Tiers High



#### KEY FEATURES

Dual width screen units can typically fit LCD display sizes up to 24in wide screens on our standard mounts

Ergotron dual pivot monitor mounts provided in each small screen position; fits 75/100 mm mounting

VGA video cables and power extension cords are factory installed to each screen position

DVI cables also available; specify single/dual channel

Large screen mounts are fixed position and accommodate screens to 65 in. diagonal size

**Large or Small  
Flat Screen Displays  
to 3-Tiers High**

Data Center Consoles

DCS Console Furniture

Control Desks

Control Room Console



All-Steel  
Built to Last  
Shipped Assembled  
Projects Around the World

888-664-6762  
www.imagevisioninc.com

## COMPUTER CONSOLE FURNITURE

www.imagevisioninc.com

### Product Profile Two Basic Styles - Tables or Desks

#### KEY FEATURES

Table has no cabinet below work surface



48in. Table with CPU Shelf and Modesty Panel

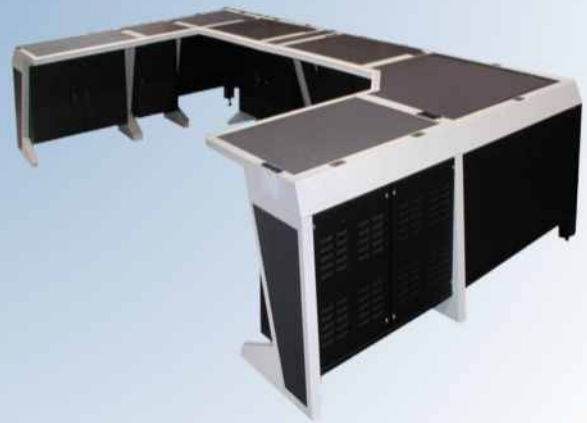
Desk unit has cabinet below work surface



Easily add monitor tiers to tables or desks



Desks can be mixed with tables & spacers



Computer Console Furniture Security Consoles DCS Console Medical Imaging Stations



All-Steel  
Built to Last  
Shipped Assembled  
Projects Around the World

888-664-6762  
www.imagevisioninc.com

## DCS CONSOLE FURNITURE

www.imagevisioninc.com

### Product Profile

### Our Best Seller

#### TYPICAL FEATURES

Adjustable Dual Pivot Monitor Mounts with Quick Release Adapter

Laminate Inlay on Tops and Side Legs

Black Edgemold Standard Soft Front Edge Protection

Cable Openings with Grommets Along Back Edges

AUTOCAD LAYOUT DRAWINGS FOR YOUR EXACT PROJECT NEEDS

Control Room Furniture

Security Consoles

DCS Console

Medical Imaging Stations



All-Steel  
Built to Last  
Shipped Assembled  
Projects Around the World

888-664-6762  
www.imagevisioninc.com

## TECHNICAL FURNITURE

www.imagevisioninc.com

### Product Profile

### Our Most Flexible Design

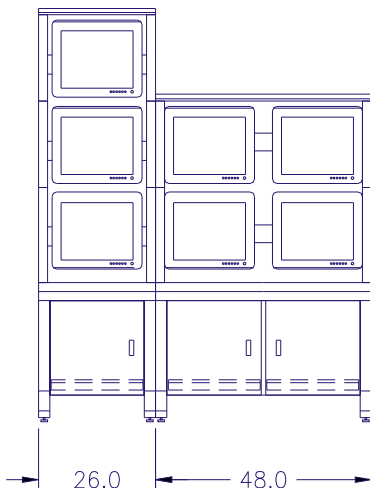
#### SPECIFICATIONS SUMMARY

FULL SPECS AVAILABLE UPON REQUEST

26 inch and 48 inch standard width console units  
40.2 inch deep tops standard; 34.5 in. stubby option  
16 gauge multi-form reinforced frame  
16 gauge sheet metal; cabinet sides, rear & bottom  
18 gauge reinforced locking doors; front, rear, or both  
Adjustable height leveling feet  
Edgemold semi-soft work surface front edge protection  
7-Outlet surge protected power strips  
Cable management provided with divided wire ways  
Pull-out CPU/Equipment Trays; load rated 90 lbs. each  
- 1 Tray in 26 in. wide units; 2 Trays in 48 in. units

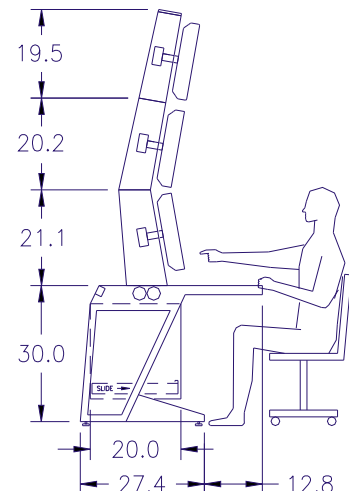
#### Monitor Tier Details:

1, 2 or 3 tiers high with Ergotron monitor supports  
Adjustable dual-pivot monitor mounts (standard)  
- fits both 75 mm & 100 mm VESA mounting dims  
- 23 lb. monitor load max; with power & video cables



- ADJUSTABLE DUAL PIVOT MONITOR MOUNTS
- MONITOR POWER AND VIDEO EXTENSION CABLES PROVIDED
- EQUIPMENT ENCLOSURES AVAILABLE FOR MONITOR POSITIONS OR DESK TOP MOUNTING
- LOCKING DOORS; FRONT OR REAR LOUVERED PANELS; FRONT OR REAR
- CPU/EQUIPMENT TRAYS, ADJUSTABLE SHELVES, EIA RACKS OR EQUIPMENT SUB PANELS

(ALL DIMS ARE IN INCHES)



Control Room Furniture

Security Consoles

Technical Furniture

Medical Imaging



All-Steel  
Built to Last  
Shipped Assembled  
Projects Around the World

888-664-6762  
www.imagevisioninc.com

## OPERATOR CONSOLES

### All Black with Privacy Panels

### A Popular Choice

#### KEY FEATURES

All black consoles provide backgrounds for monitors that make the screens "pop out" from the support structure of the monitor tiers

Operator consoles with privacy panels provide an optimum environment for reducing operator distraction and increasing their productivity

Notice in the 2nd photo on right below that we can provide 45 degree wedge turrets for controls

**45 Degree Wedge Turrets for Control Devices**

Easy To Retrofit: Wedge Turrets and Monitor Tier Shelves



Control Room Furniture   Security Consoles   Operator Consoles   Medical Imaging Stations



All-Steel  
Built to Last  
Shipped Assembled  
Projects Around the World

888-664-6762  
www.imagevisioninc.com

**OPERATOR CONSOLE**

www.imagevisioninc.com

**Binder and Supply Storage** **A Popular Choice**

**KEY FEATURES**



Monitor Tier Spanner Shelves were used above many of the 1st. and 2nd. tier monitor screens to provide storage for binders, supplies and radios

This option is easy to add to your existing operator consoles whether they have privacy panels or not

The operator console shown on left were supplied with 3 in. cabinet extensions on the front of the cabinets

Rear doors and rear pull out trays allow for easy maintenance access with little operator disturbance

**Options to Complete Your Requirements**



Rear Door Cabinet Access



3 inch Front Cabinet Extension Option

**Control Room Furniture    Security Consoles    Operator Console    Medical Imaging Stations**



All-Steel  
Built to Last  
Shipped Assembled  
Projects Around the World

888-664-6762  
www.imagevisioninc.com

## COMPUTER CONSOLES

www.imagevisioninc.com

### Built In Cable Management

### A Customer Favorite

#### KEY FEATURES

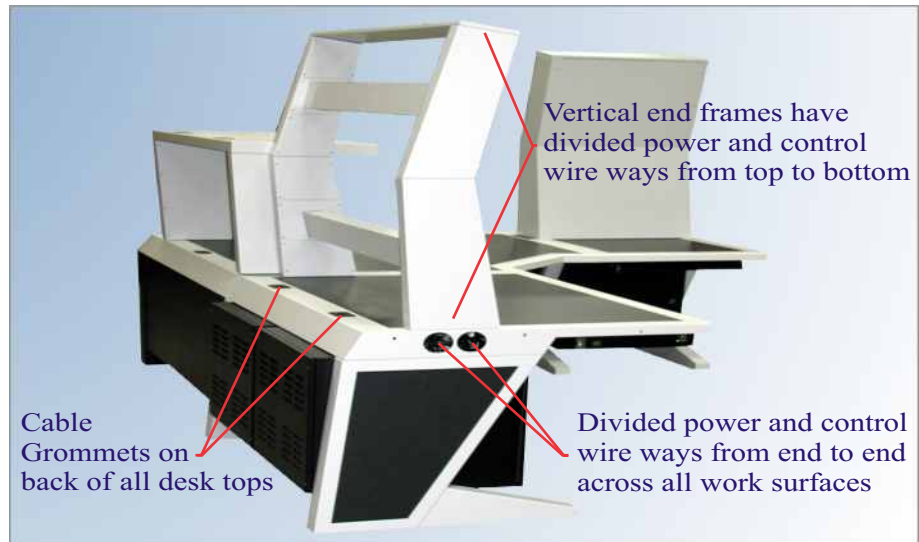
Customers frequently tell us they love our built in cable trays that run throughout the console line up

All horizontal and vertical screen supports have divided wire ways to provide additional electrical isolation between power and control wiring when needed

Divided wire ways are included across all turn angles, wedges and corner tables

Wire ways have removable covers for easy access

**Integral Cable Management Is Standard**



Computer Consoles

Security Consoles

Control Consoles

Medical Imaging Stations

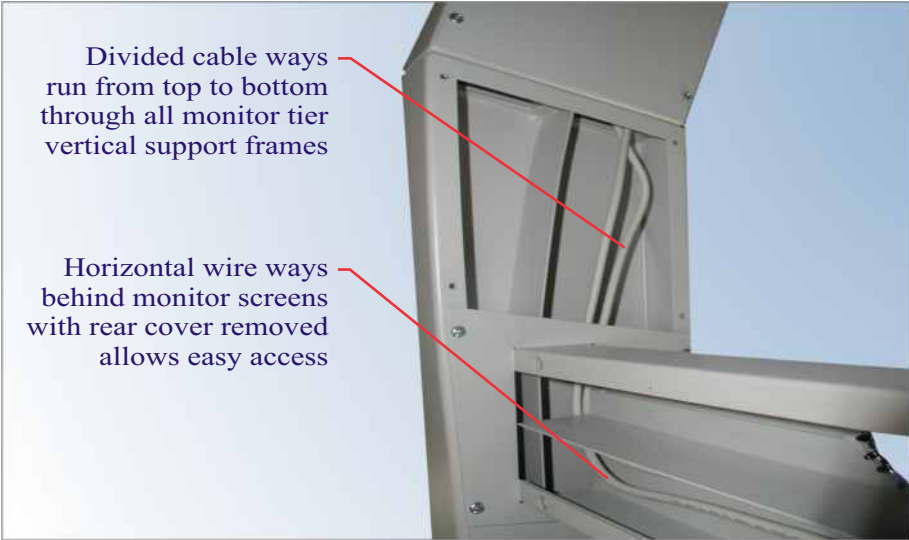


All-Steel  
Built to Last  
Shipped Assembled  
Projects Around the World

888-664-6762  
www.imagevisioninc.com

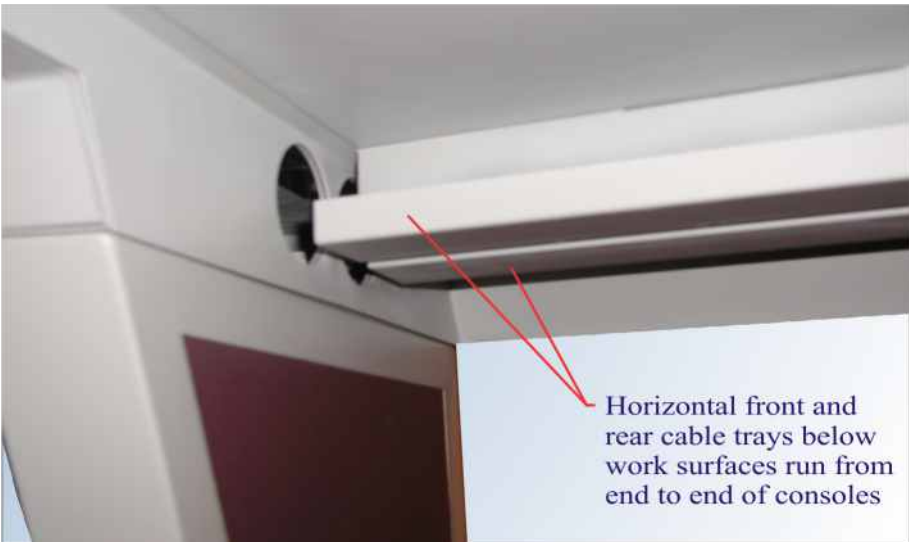
**CONTROL CONSOLES**

**Divided Cable Ways      Another Customer Favorite**



Divided cable ways run from top to bottom through all monitor tier vertical support frames

Horizontal wire ways behind monitor screens with rear cover removed allows easy access



Horizontal front and rear cable trays below work surfaces run from end to end of consoles

**KEY FEATURES**

View of horizontal and vertical wire ways on monitor tier with cover panels removed

Metal dividers in all horizontal and vertical wire ways provide additional electrical isolation between the power and control cables in the wire ways

Bottom photo shows a view of horizontal power and control wire ways below work surface which run from end to end through each control console

Two circular wire way end plugs are used to close off each end of the console lineup

**Integral Wire Ways Insure Neat Control Console Appearance**

**Computer Consoles**

**Security Consoles**

**Control Consoles**

**Medical Imaging Stations**



All-Steel  
Built to Last  
Shipped Assembled  
Projects Around the World

888-664-6762  
www.imagevisioninc.com

## HMI WORKSTATIONS - CONTROL CONSOLE

www.imagevisioninc.com

### Seated or Standing Operators

### Modular Flexibility

#### KEY FEATURES

Our basic console design allows for either seated or standing operators at the control console

Existing operator console units can be modified in the field to convert from seated to standing work station configurations

Typical desk tops heights are:  
Seated; 29.3 in. high  
Standing; 41.3 in. high (depending on final adjustment of the leveling feet)

Casters are available

**Seated or Standing  
Control Console  
We have a Solution**



Qty (2) 48 in. Desks & (1) 26 in. Desk on 12 in. high riser bases



26 in. LoPro Seated Workstation



26 in. 1-Tier Standing Workstation

Computer Consoles

Security Consoles

Control Console

Medical Imaging Stations



All-Steel  
Built to Last  
Shipped Assembled  
Projects Around the World

888-664-6762  
www.imagevisioninc.com

## CONTROL CONSOLES

[www.imagevisioninc.com](http://www.imagevisioninc.com)

### Stubby Depth Work Surfaces for Limited Floor Space



#### KEY FEATURES

Stubby work surfaces are 34.5 in. deep; 40.2 inch deep is standard

Stubby console desk tops also allow for easier visibility and access to front of console cabinets

Stubby work surfaces are recommended for File and Supply Drawer modules

Drawers are available on either table console units or desk consoles

Where knee room is needed, insert a table unit in the line up as shown in the middle of console on upper left

**Monitor Supports Available on Stubby Tables and Desks**

Data Center Consoles

DCS Console Furniture

Control Consoles

Control Rooms



All-Steel  
Built to Last  
Shipped Assembled  
Projects Around the World

888-664-6762  
[www.imagevisioninc.com](http://www.imagevisioninc.com)

## Product PROJECTS & OPTIONS Album Download Links

NOTE: When this document is viewed on a computer connected to the internet you can click on the [Click to learn more](#) text links on right below for additional information



**AgileVIEW**<sup>®</sup> Project Photo Album provides an excellent overview of our features and console configurations  
[Click to learn more...](#)



**AgileVIEW**<sup>®</sup> Options Photo Album provides an excellent overview of our options available for your consoles  
[Click to learn more...](#)



**AbleVIEW**<sup>®</sup> Project Photo Album provides an excellent overview of our features and console configurations  
[Click to learn more...](#)



**SecureVIEW**<sup>®</sup> Project Photo Album provides an excellent overview of our security furniture configurations  
[Click to learn more...](#)



### Our Accessory Product Partners

NOTE: When this document is viewed on a computer connected to the internet you can click on the [Click to learn more](#) text links on right below for additional information



**Partner Products**

Ergonomic chairs and 24hr. rated chairs for continuous use seating applications in control room console arrangements

[Click to learn more...](#)



**Partner Products**

Ergotron LCD and plasma monitor arms and desk stands provide a lower cost yet robust platform for your monitors

[Click to learn more...](#)



**Partner Products**

Chief LCD and plasma monitor arms and desk stands are the standard mounts for *ErgonomicVIEW* consoles

[Click to learn more...](#)



**Partner Products**

VISTA x-ray viewers for diagnostic imaging with superior luminance and longer life based on LCD TV backlighting technology

[Click to learn more...](#)



**Partner Products**

Our LumiVision or Lumimed viewboxes for diagnostic imaging workstations offer the benefits of EEFL technology

[Click to learn more...](#)

