

**PLAN**

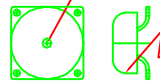
PROJECT CONSIST OF (2) TYPICAL

TIERS 1 & 2 SHIPPED NOT INSTALLED

CUSTOMER'S 19" DELL LCD DRAWN TO SCALE (TYP-2)

3/8 X 16 THD

19" EIA RACKS (FRONT & REAR)

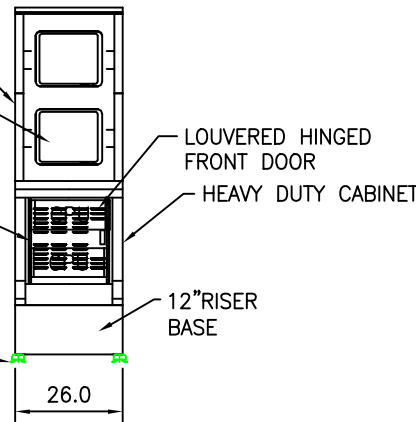


3in. DIA.

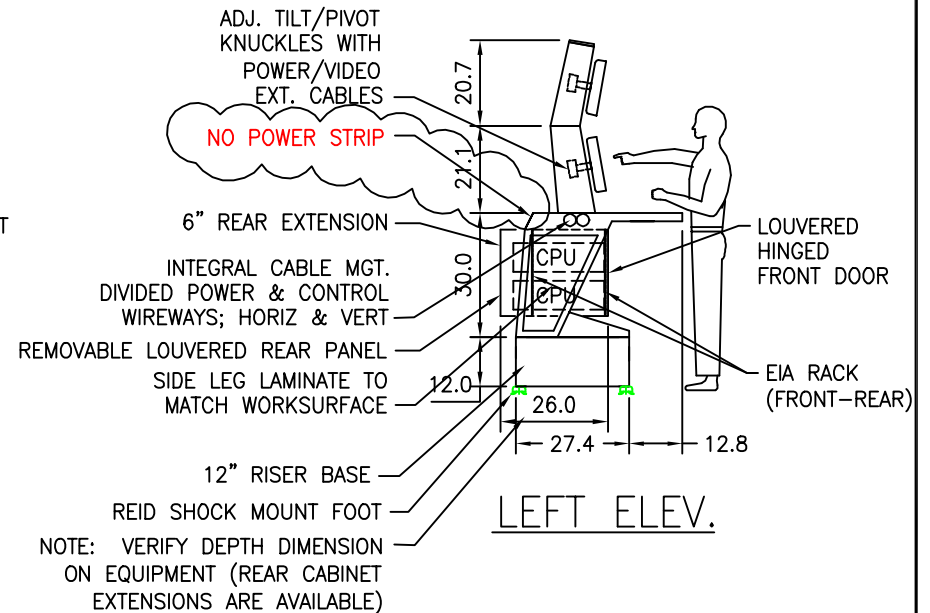
SHOCK MOUNT (TYP. 4)

REID SUPPLY P/N BCM-2090

(IV Part # GR000003)



**FRONT ELEV.**



**LEFT ELEV.**

NOTE: VERIFY DEPTH DIMENSION ON EQUIPMENT (REAR CABINET EXTENSIONS ARE AVAILABLE)

**NOTES:**

1. Dimensions are in inches unless otherwise noted.
2. Desk Top & Side Leg Inlays: Charcoal Matrix Laminate
3. Paint: All Metal Surfaces (Except Cabinets) - Opaque Beige Cabinets & Doors - Gothic Black Powder Coat
4. Console Enclosure: Comparable to NEMA 1 "Ventilated"
5. Monitor Power & Video Cables Provided by ImageVision, for consoles with monitor mounts only.

**IMAGEVISION, INC.**

Modular Consoles  
PO Box F  
La Grange, TX 78945  
(888) 664-6762  
(979) 247-4068  
Fax: (979) 247-4062  
<http://www.ImageVisionInc.com>

DWG. SCALE:

NONE

DATE:

1/7/08

BY:

BT

PAGE:

1 OF 1

TITLE: L-3 COMMUNICATIONS, KLEIN & ASSOCIATES

SALEM, NH  
SHIP MOUNT CONSOLE

DRAWING NUMBER:

LG31791

A