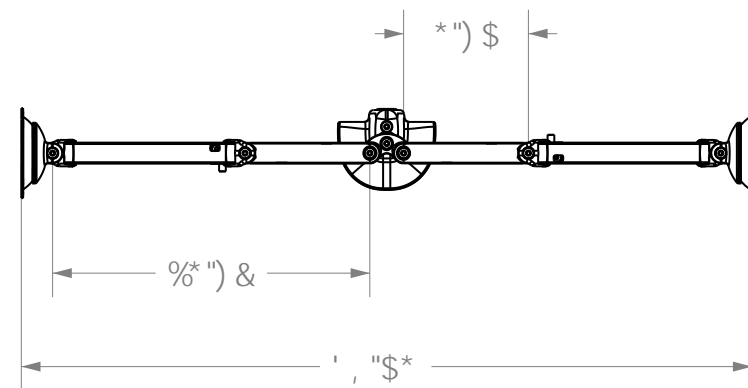
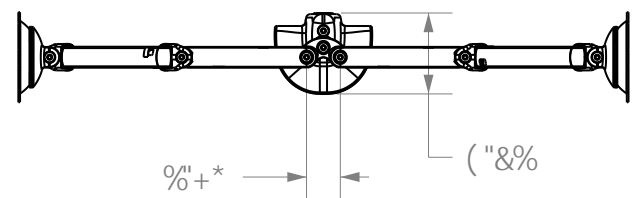
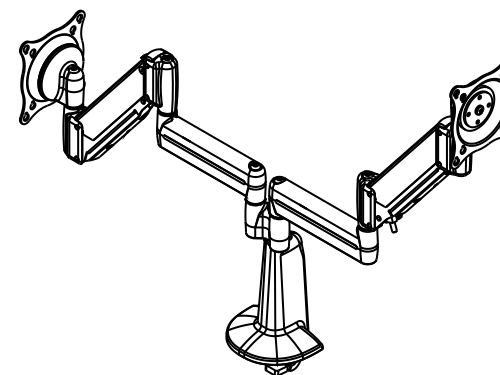


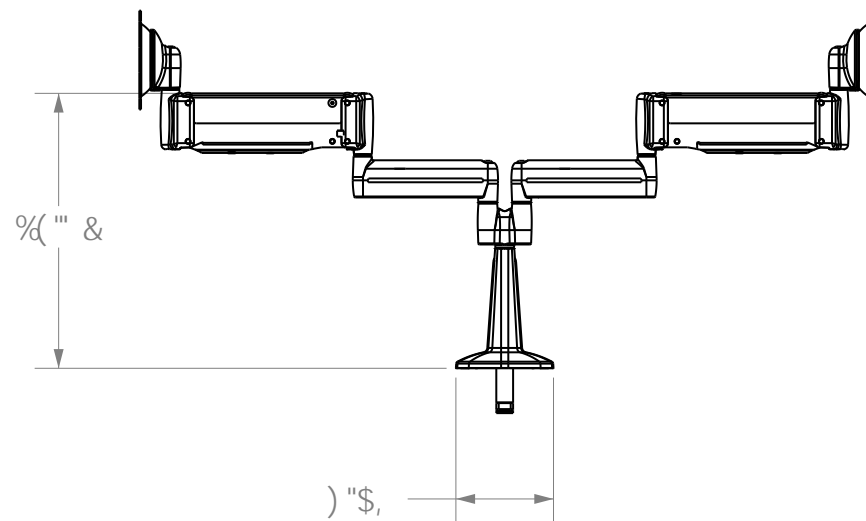
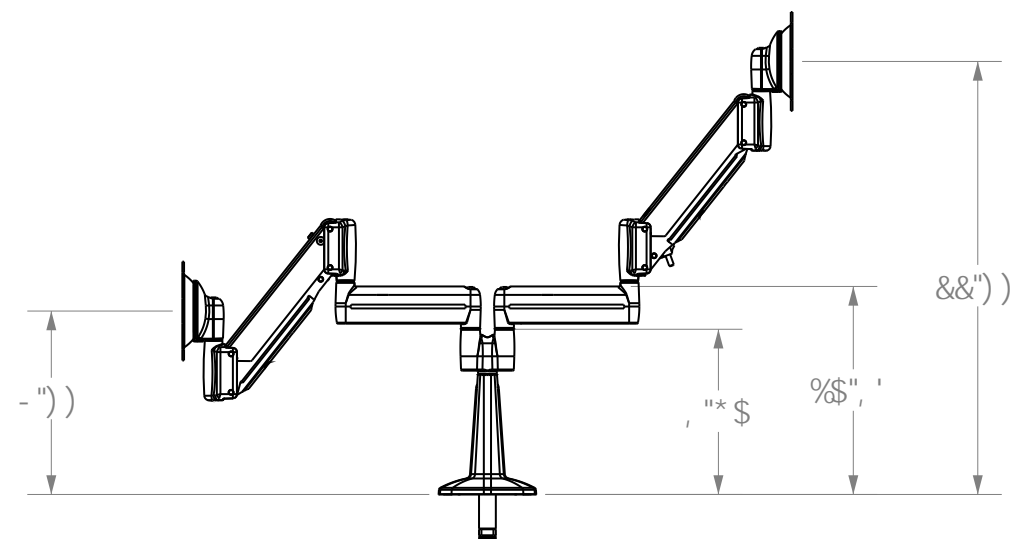
8



7



6




5



7 < 9: A 5BI : 57H F-B; 'B7"  
 A CI BHC F89' BI A 69' 'G?7M&&\$  
 D<CB9.%, \$!\$), &\* (, \$

G<99HG7 5 @9'1 '%%\$

H<9-B: CFA 5HCB'5B8'89G? BG7CBH5-B98  
 -B'k-G'8F5K -B; '5F97CB: -89BH5@5B8'H<9  
 DFCDF-9-5FMDFC D9'FMC: 7<9: 'A:; 'Z-B7"  
 B9H<9'k-G'89G? B'BCF'5BM-B: CFA 5HCB  
 7CBH5-B98 -B'k-G'8F5K -B; 'A 5M69  
 F9DFC8I 798'CF'8-67 @G98'HC'CH'9FG  
 K -kCI Hk'99LDF9GGK F#H9B 7CBG9BHC:  
 7<9: 'A:; 'Z-B7"

CHIEF  7 < 9: A 5BI : 57H F-B; Z-B7"  
 (\$%95: @97 F997 D7K MG97'+S\$2G5J 5: 92A B'')' +,  
 .....%,\$\$), 8'\*(, \$ 1 : 5L %; ++; -( \*- %  
 H#99  
**71 GCA 9F'DF-BH**  
**?7M&&\$**  
 G#9' 'BK: 'BC\*  
 6 ?7M&&\$

...?7M&&\$ 8 7 6 5