

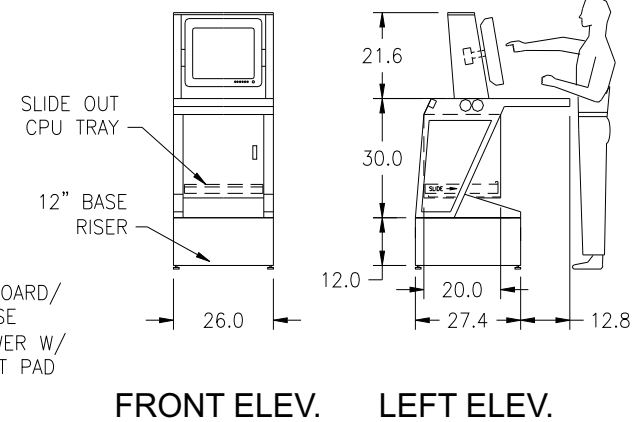
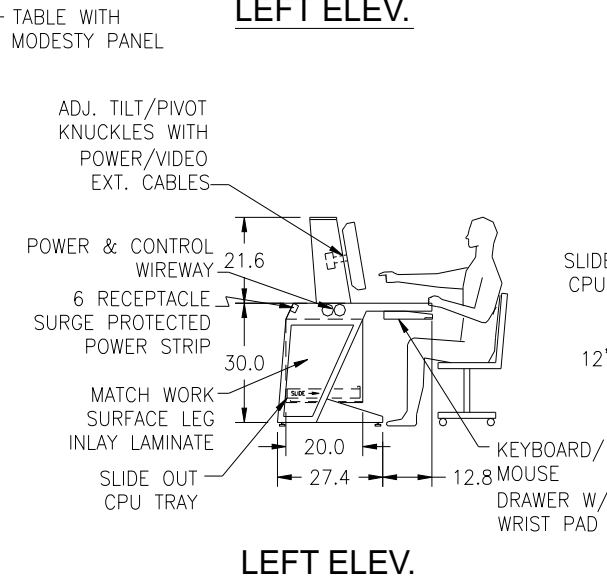
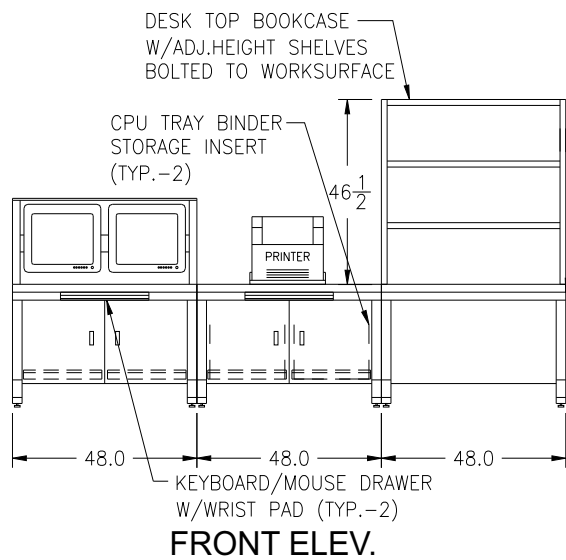
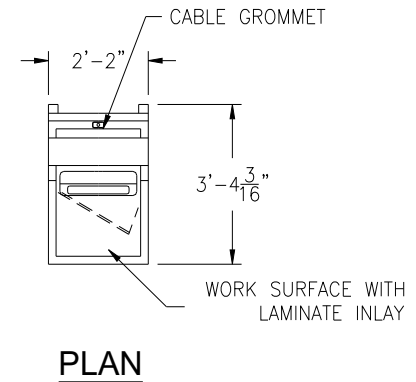
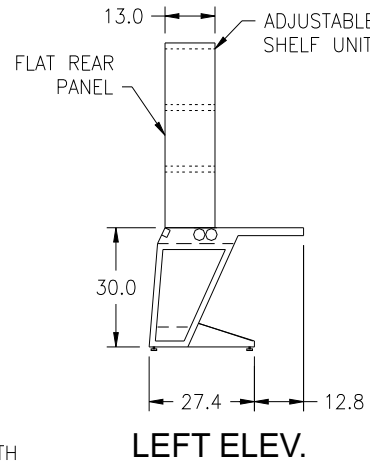
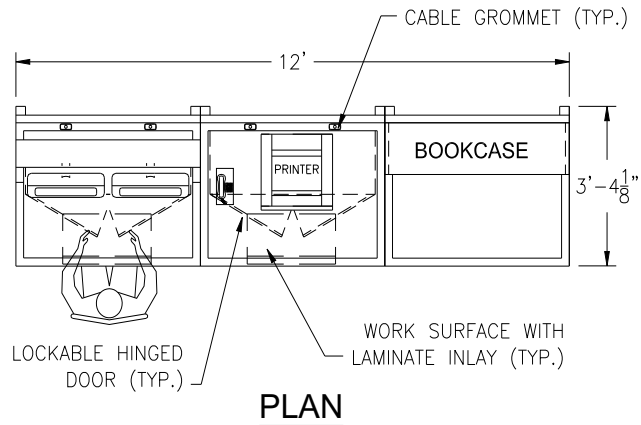


www.imagevisioninc.com

*Agile*VIEW®

TYPICAL PROJECT LAYOUT DRAWINGS

LCD & PLASMA DISPLAY CONSOLES

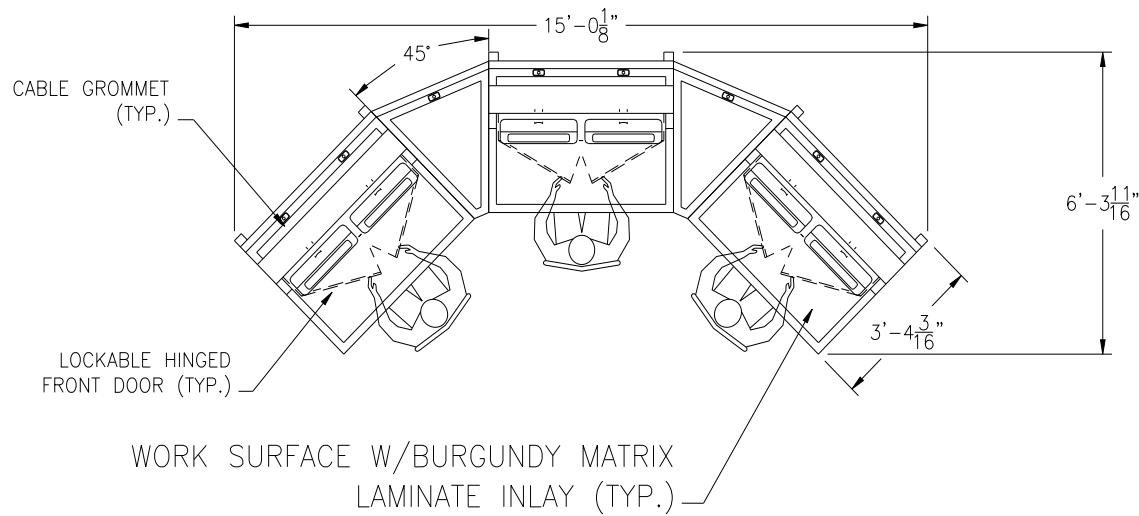


Rev M- REVISE DRAWING TITLE LOCATION

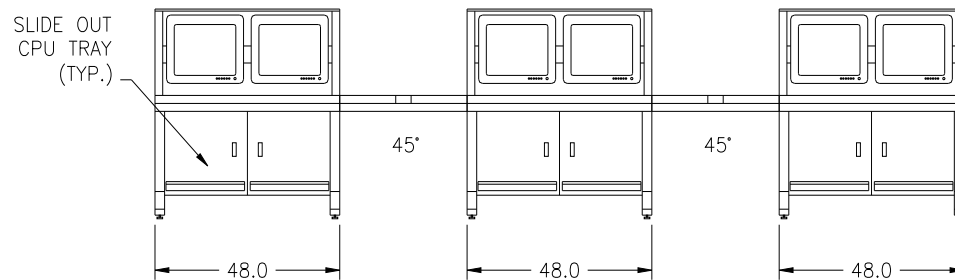
NOTES:

1. Dimensions are in inches unless otherwise noted.
2. Desk Top & Side Leg Inlays: Charcoal Matrix Laminate
3. Paint: All Metal Surfaces (Except Cabinets) - Opaque Beige
Cabinets & Doors - Gothic Black Powder Coat
4. Console Enclosure: Comparable to NEMA 1 "Ventilated"
5. Monitor Power & Video Cables Provided by ImageVision.

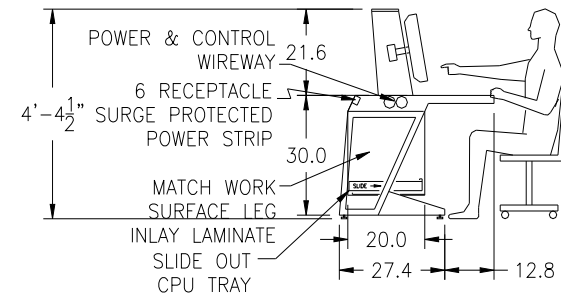
IMAGEVISION, INC. Modular Consoles PO Box F La Grange, TX 78945 (888) 664-6762 (979) 247-4068 Fax: (979) 247-4062 http://www.ImageVisionInc.com	DWG. SCALE: 1 in. = 48 in.	TITLE: BCS TONAWANDA, NY 14150 CORRY WWTP PROJECT
	DATE: 3/23/05 BY: BT	DRAWING NUMBER: LG30761 M
	PAGE: 1 OF 1	



PLAN



FRONT ELEV. VIEW
(ANGLES SHOWN FLAT FOR CLARITY)



LEFT SIDE ELEV.

NOTES:

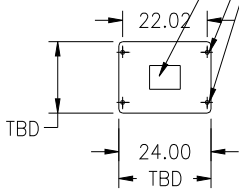
1. Dimensions are in inches unless otherwise noted.
2. Desk Top & Side Leg Inlays: BURGUNDY Matrix Laminate
3. Paint: All Metal Surfaces (Except Cabinets) - Opaque Beige
Cabinets & Doors - Gothic Black Powder Coat
4. Console Enclosure: Comparable to NEMA 1 "Ventilated"
5. Monitor Power & Video Cables Provided by S&S Technology

IMAGEVISION, INC. Modular Consoles PO Box F La Grange, TX 78945 (888) 664-6762 (979) 247-4068 Fax: (979) 247-4062 http://www.ImageVisionInc.com	DWG. SCALE: NONE	TITLE: CONTINUOUS CONTROL SOLUTIONS DES MOINES, IA RUSSIAN ELECTRIC STATION CONSOLE
	DATE: 10/8/04 BY: BT	
	PAGE: 1 OF 1	DRAWING NUMBER: LG30869

AgileVIEW®

LCD & PLASMA DISPLAY CONSOLES

TILTING FLAT BRACKET (PART # AN37AG2) BASE TO BE FIELD INSTALLED BY CUSTOMER

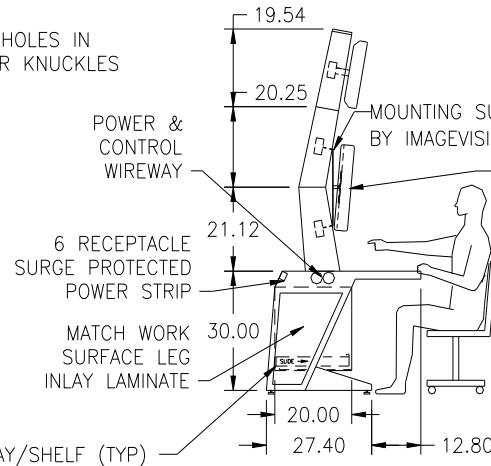


MOUNTING SURFACE

GAS PLASMA SUPPORT

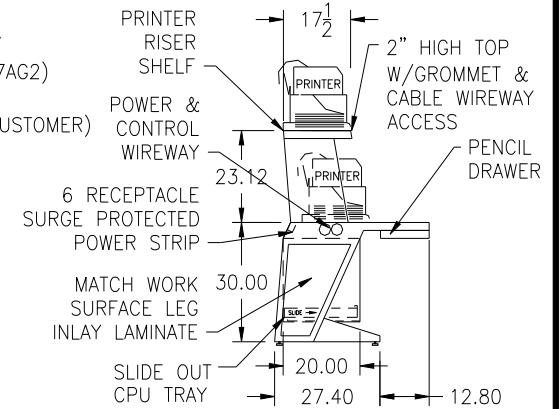
2ND & 3RD TIER STIFFENERS & GUSSETS BY S&S TECHNOLOGY (TYP-5)

UTILIZE EXISTING HOLES IN MONITOR RAIL FOR KNUCKLES



LEFT SIDE ELEV.

GAS PLASMA CONSOLE

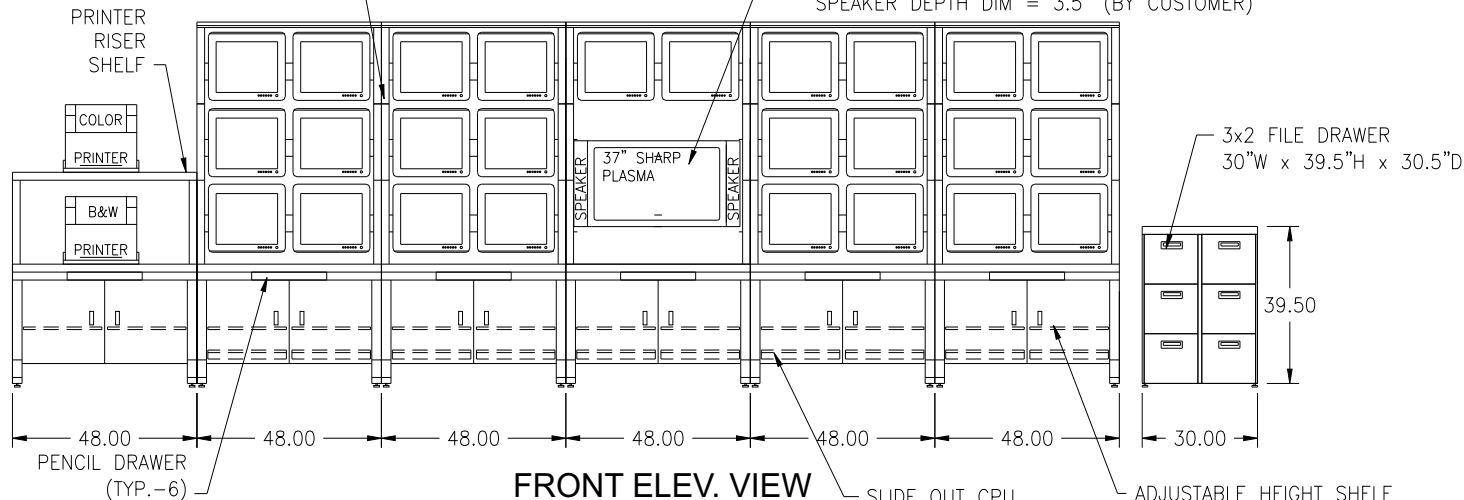


LEFT SIDE ELEV.

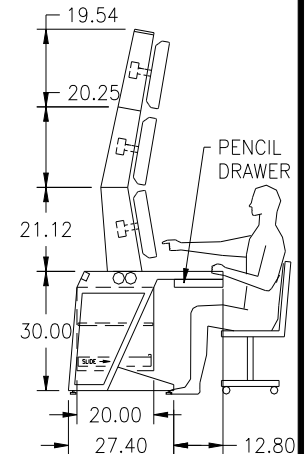
PRINTER RISER SHELF DETAIL

CONSOLE 1

37" SHARP PLASMA W/SPEAKERS & TILTING FLAT BRACKET
OVERALL DIMS 43.375"W x 21.56"H x 3.5"D
WEIGHT 43 LBS. (ACTUAL PLASMA DEPTH = 2.78"
SPEAKER DEPTH DIM = 3.5" (BY CUSTOMER)



FRONT ELEV. VIEW



LEFT SIDE ELEV.

THREE TIER CONSOLE

NOTES:

1. Dimensions are in inches unless otherwise noted.
2. Desk Top & Side Leg Inlays: Charcoal Matrix Laminate
3. Paint: All Metal Surfaces (Except Cabinets) - Opaque Beige
Cabinets & Doors - Gothic Black Powder Coat
4. Console Enclosure: Comparable to NEMA 1 "Ventilated"
5. Monitor Power & Video Cables Provided by S&S Technology

IMAGEVISION, INC.
Modular Consoles
PO Box F
La Grange, TX 78945
(888) 664-6762
(979) 247-4068
Fax: (979) 247-4062
<http://www.ImageVisionInc.com>

DWG. SCALE:
NONE

DATE: 11/30/04 BY: BT

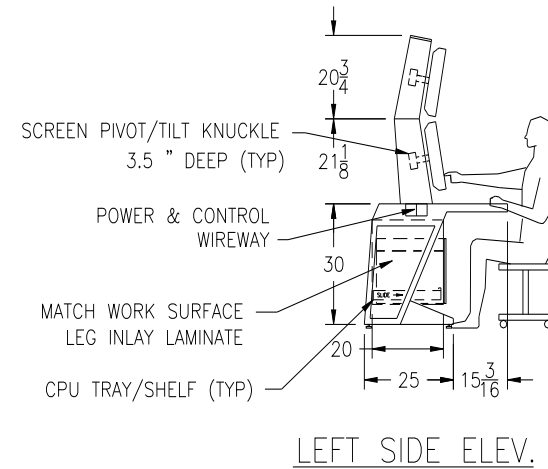
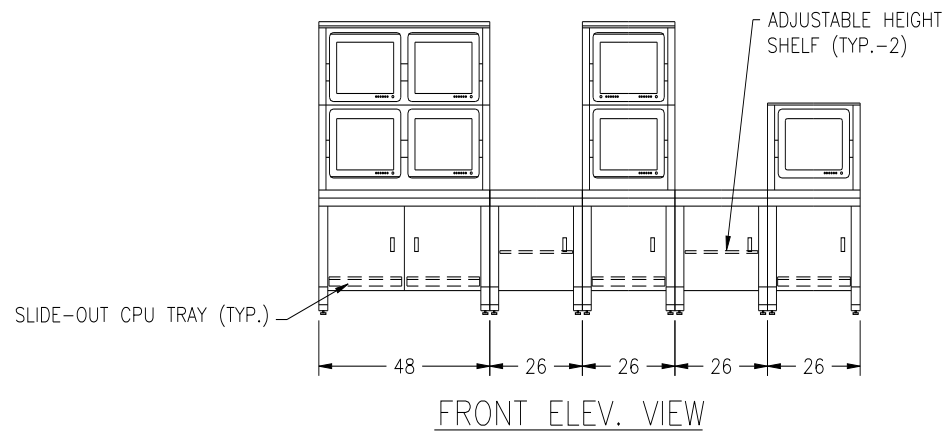
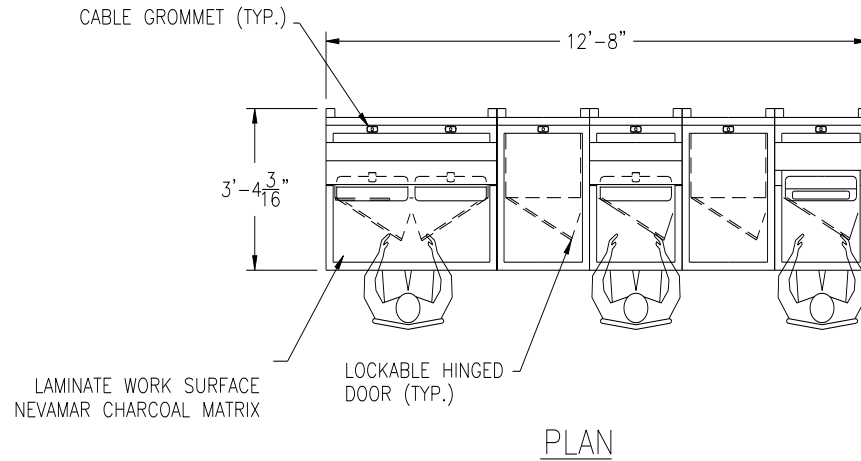
PAGE: 2 OF 4

TITLE:

**3M-SMD DECATUR FILM
DECATUR, AL
AL D10 PROJECT**

DRAWING NUMBER: LG30818

G



NOTES:

1. Dimensions are in inches unless otherwise noted.
2. Desk Top & Side Leg Inlays: High Pressure Laminate -
3. Paint: All Metal Surfaces (Except Cabinets) - Opaque Beige
Cabinets & Doors - Gothic Black Powder Coat
4. Console Enclosure: Comparable to NEMA 1 "Ventilated"
5. Monitor Power & Video Cables Provided by ImageVision.

IMAGEVISION, INC.
Modular Consoles

PO Box F
La Grange, TX 78945
(888) 664-6762
(979) 247-4068
Fax: (979) 247-4062
<http://www.ImageVisionInc.com>

DWG. SCALE:

NONE

DATE:

1/14/04

BY:

BT

PAGE NO.

1 OF 1

TITLE:

VRC COMPANY
BRUNSWICK, TN 38014
CARGILL PROJECT

DRAWING NUMBER:

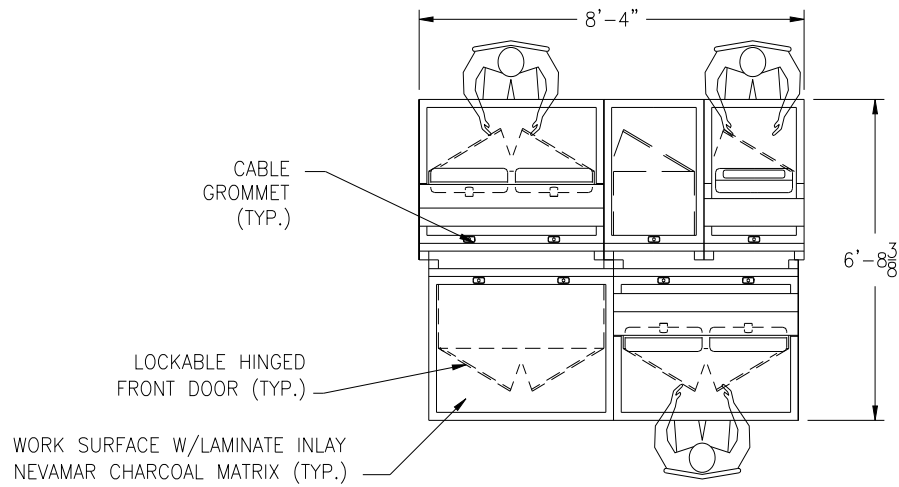
LG30623-1

REVISION:

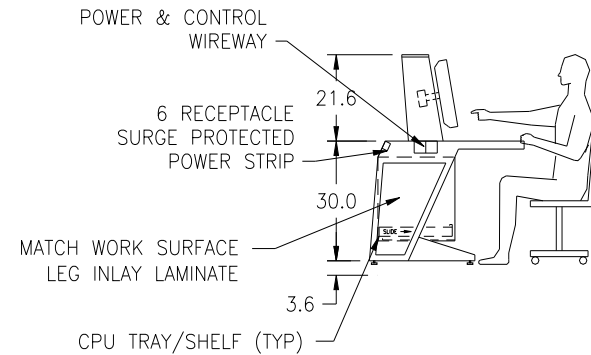
A

AgileVIEW®

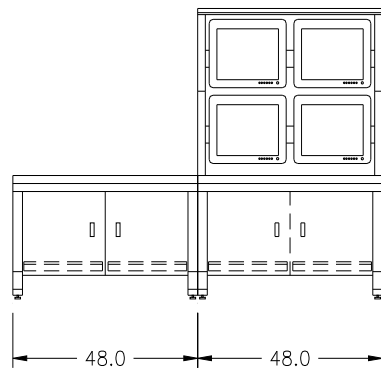
LCD & PLASMA DISPLAY CONSOLES



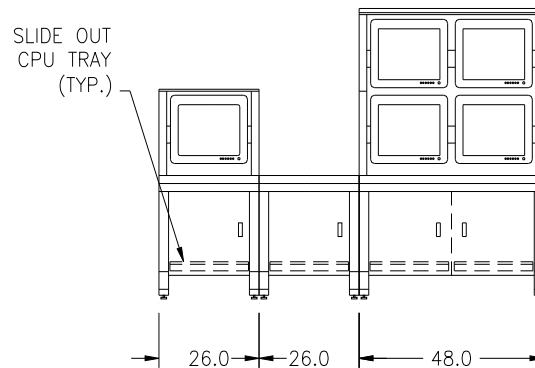
PLAN VIEW
NORTH PLANT CONSOLE



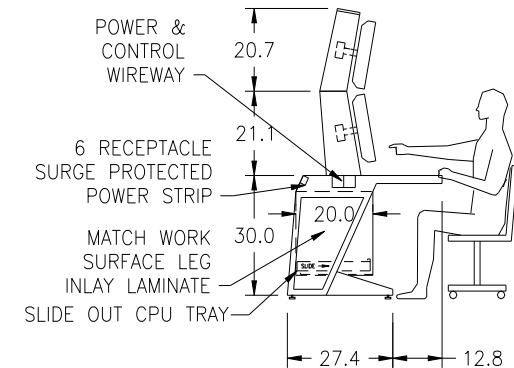
LEFT SIDE ELEV.



FRONT ELEV. VIEW



REAR ELEV. VIEW

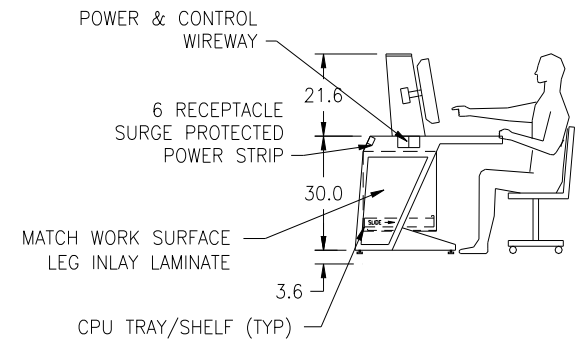
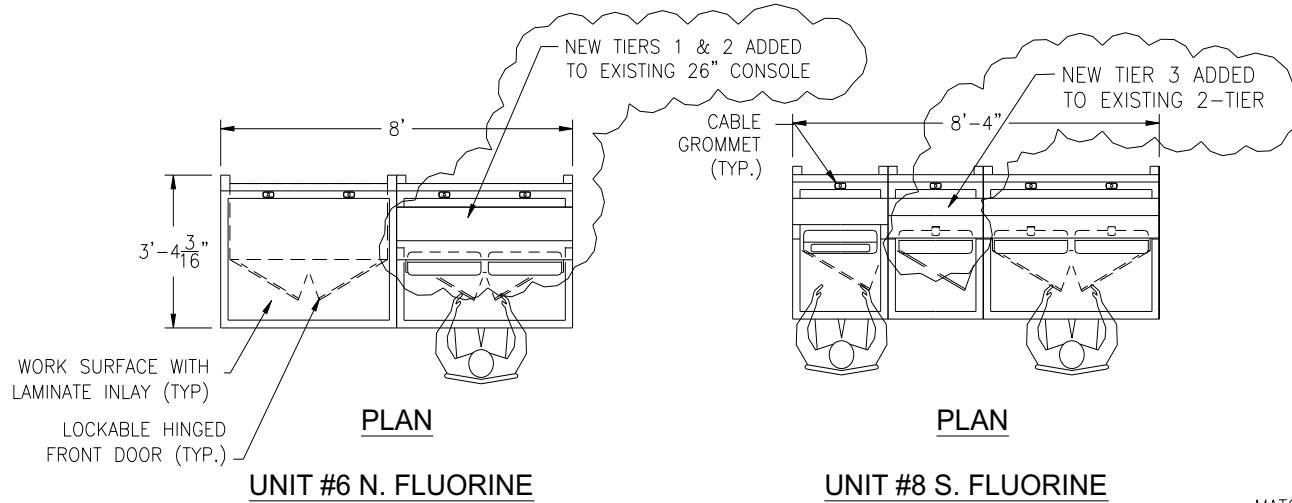


LEFT SIDE ELEV.

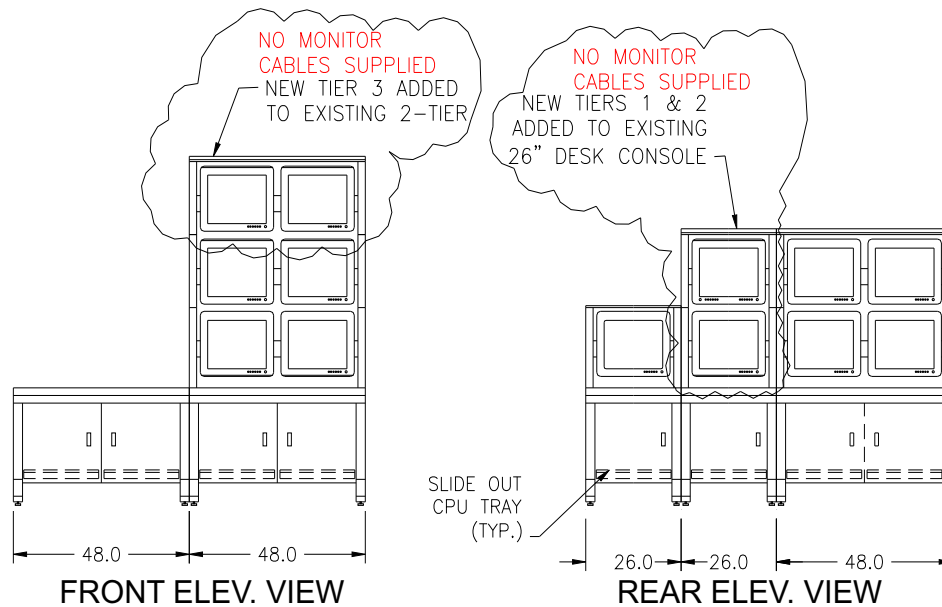
NOTES:

1. Dimensions are in inches unless otherwise noted.
2. Desk Top & Side Leg Inlays: High Pressure Laminate -
3. Paint: All Metal Surfaces (Except Cabinets) - Opaque Beige
Cabinets & Doors - Gothic Black Powder Coat
4. Console Enclosure: Comparable to NEMA 1 "Ventilated"
5. Monitor Power & Video Cables Provided by ImageVision.

IMAGEVISION, INC. Modular Consoles PO Box F La Grange, TX 78945 (888) 664-6762 (979) 247-4068 Fax: (979) 247-4062 http://www.ImageVisionInc.com	DWG. SCALE: 1 in. = 48 in.	TITLE: HONEYWELL METROPOLIS, IL
	DATE: 3/24/04 BY: BT	
	PAGE: 1 OF 2	DRAWING NUMBER: LG30705 D

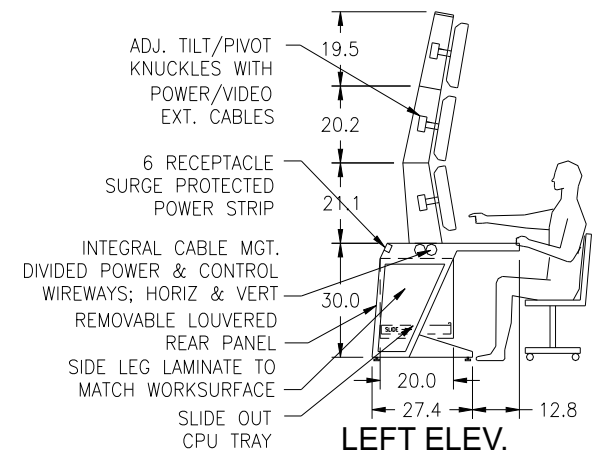


LEFT ELEV.



FRONT ELEV. VIEW

REAR ELEV. VIEW

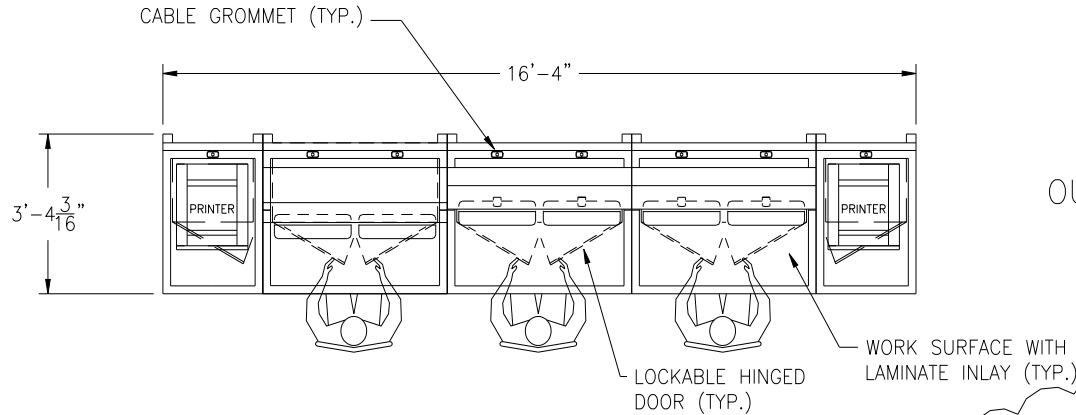


LEFT ELEV.

NOTES:

1. Dimensions are in inches unless otherwise noted.
2. Desk Top & Side Leg Inlays: High Pressure Laminate -
3. Paint: All Metal Surfaces (Except Cabinets) - Opaque Beige
Cabinets & Doors - Gothic Black Powder Coat
4. Console Enclosure: Comparable to NEMA 1 "Ventilated"

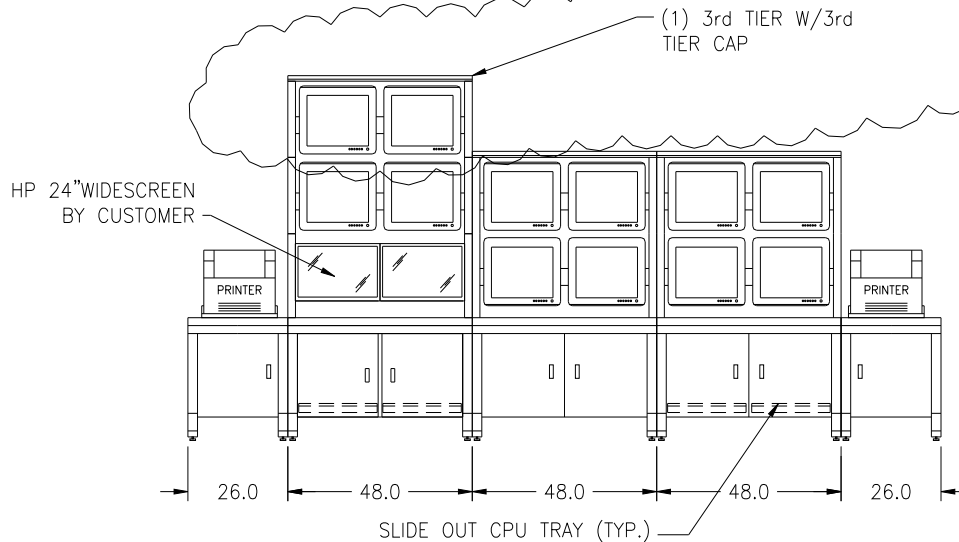
IMAGEVISION, INC. Modular Consoles PO Box F La Grange, TX 78945 (888) 664-6762 (979) 247-4068 Fax: (979) 247-4062 http://www.ImageVisionInc.com	DWG. SCALE: NONE	TITLE: HONEYWELL METROPOLIS, IL S. FLUORINE #8 - N. FLUORINE #6
	DATE: 4/5/07 BY: BT	
	PAGE: 1 OF 2	DRAWING NUMBER: LG30705-1



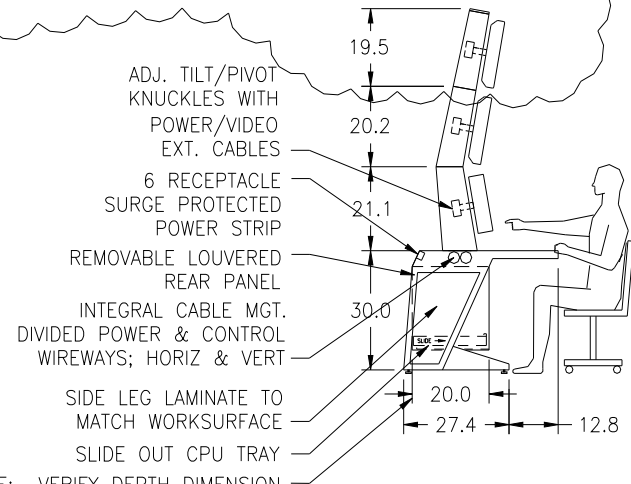
PLAN

OUTBOUND LUGGAGE SCREENING OPERATOR CONSOLE

PROJECT CONSIST OF
ADDING (1) 3RD TIER
ONLY TO EXISTING 2 TIER



FRONT ELEV.



LEFT ELEV.

NOTE: VERIFY DEPTH DIMENSION ON EQUIPMENT (REAR CABINET EXTENSIONS ARE AVAILABLE)

NOTES:

1. Dimensions are in inches unless otherwise noted.
2. Desk Top & Side Leg Inlays: Charcoal Matrix Laminate
3. Paint: All Metal Surfaces (Except Cabinets) - Opaque Beige Cabinets & Doors - Gothic Black Powder Coat
4. Console Enclosure: Comparable to NEMA 1 "Ventilated"
5. Monitor Power & Video Cables Provided by ImageVision. for consoles with monitor mounts only.

IMAGEVISION, INC.
Modular Consoles
PO Box F
La Grange, TX 78945
(888) 664-6762
(979) 247-4068
Fax: (979) 247-4062
<http://www.ImageVisionInc.com>

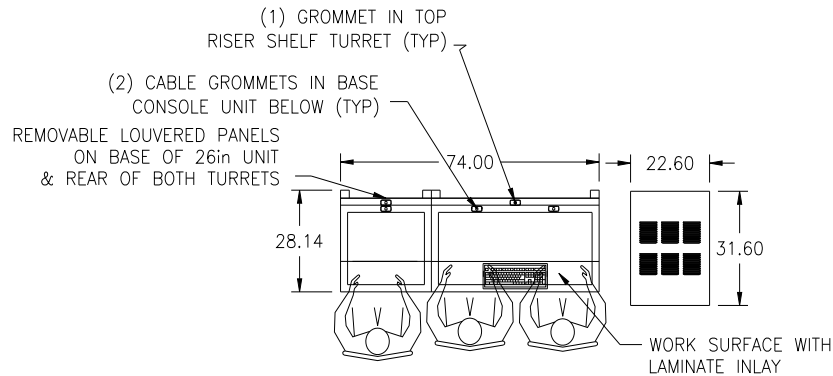
DWG. SCALE:
NONE

DATE: 11/29/07 BY: BT

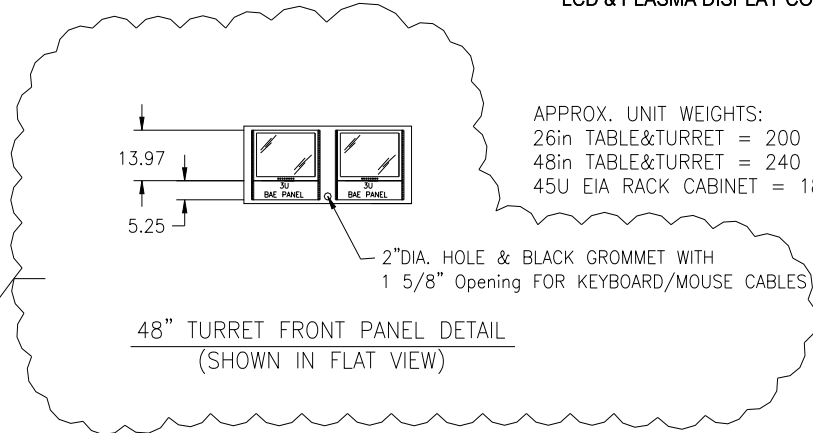
PAGE: 1 OF 1

TITLE:
**DELTA AIR LINES
ATLANTA, GA
OUTBOUND LUGGAGE SCREENING CONSOLE
ATLANTA AIRPORT**

DRAWING NUMBER: **LG31031-3** **A**



PLAN

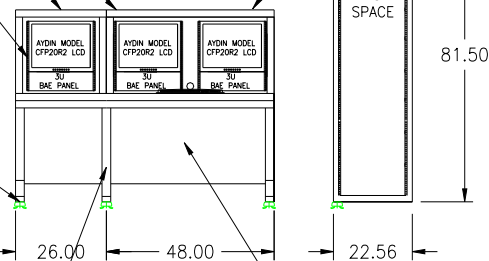
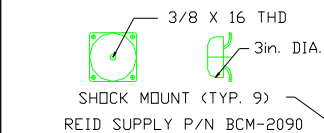


GR800107-TURRET,EIA,48in
 REMOVABLE FRONT AND REAR PANELS FRONT HAS 11U EIA RACK MOUNTED EQUIPMENT REAR PANEL TO HAVE STANDARD LOUVER PATTERN

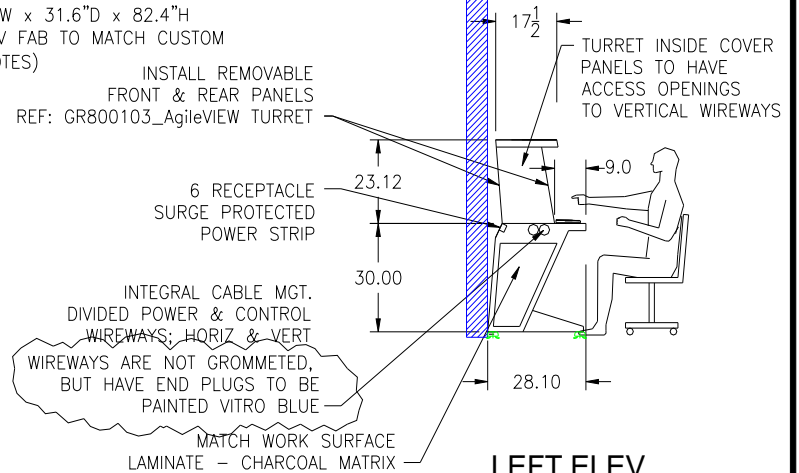
EIA RACK CABINET, FREESTANDING, 45U
 19" EIA RAILS; FRONT & REAR PAIRS (PUNCHED HOLES) LOUVERED TOP PANEL SOLID SIDE PANELS; OPEN FRONT & REAR, NO DOOR; SHOCK MOUNT FEET
 OVERALL DIMS: 22.6"W x 31.6"D x 82.4"H
 TO BE PAINTED BY IV FAB TO MATCH CUSTOM CONSOLE COLOR (NOTES)

MOBILE TRAILER WALL

GR800108-TURRET,EIA,26in
 EIA RAILS CAN BE STD "GOTHIC BLACK"; OR IV PREFERENCE



FRONT ELEV.



LEFT ELEV.

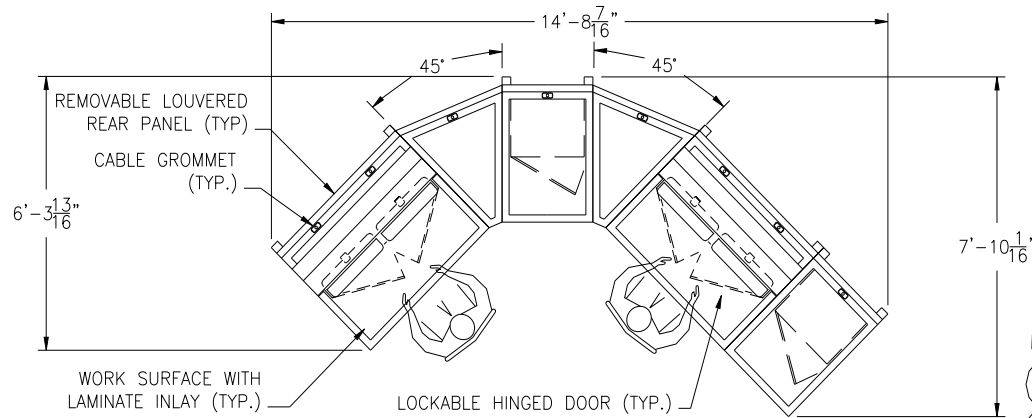
NEW REAR LEG ONLY; GR600490-129 KIT (A FRONT LEG IS NOT REQUIRED)
 4EA 201448-231 DOUBLER PLATES & ALL COMPONENTS PER KEN H EMAIL OF 22 NOV 06

REAR PRIVACY PANELS (TYP-2) ARE NEEDED FOR STIFFENING FOR MOBILE APPLICATION CONSOLES TO BE SHIPPED WITH STANDARD LEGS & BE REMOVED IN FIELD BY CUSTOMER FOR REAR CENTER LEG ASSY

NOTES:

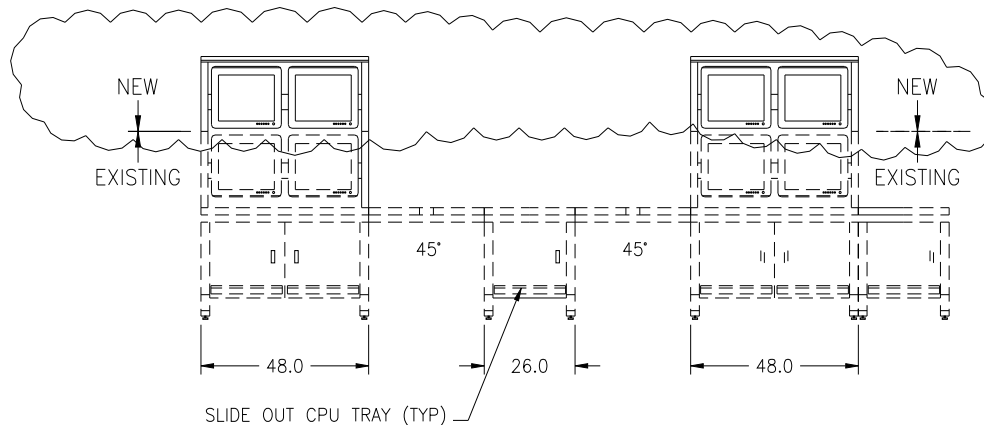
1. Dimensions are in inches unless otherwise noted.
2. Desk Top & Side Leg Inlays: Charcoal Matrix Laminate
3. Paint: All Metal Surfaces BAE SYSTEMS: "VITRO BLUE" SHERWIN WILLIAMS # 595-25190
4. Console Enclosure: Comparable to NEMA 1 "Ventilated"

IMAGEVISION, INC. Modular Consoles PO Box F La Grange, TX 78945 (888) 664-6762 (979) 247-4068 Fax: (979) 247-4062 http://www.ImageVisionInc.com	DWG. SCALE: NONE	TITLE: BAE SYSTEMS FT. WALTON BEACH, FL INSTRUMENTATION RADAR SUPPORT PROGRAM MOBILE RADAR WORKSTATION
	DATE: 12/08/06 BY: DAR	
	PAGE: 1 of 1	DRAWING NUMBER: LG31476



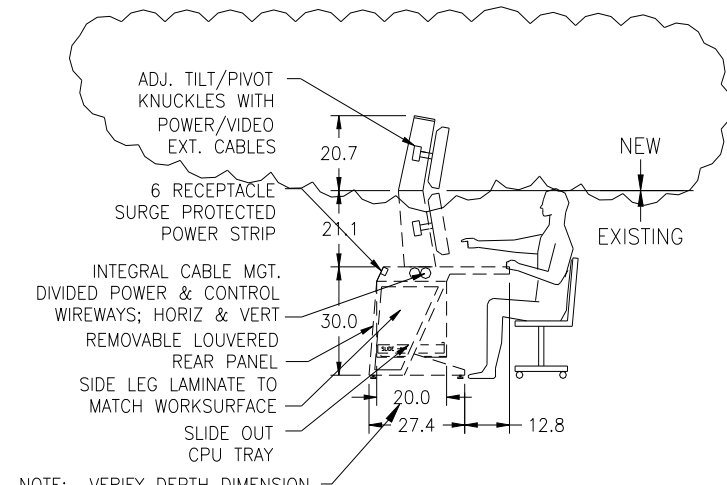
PLAN

NOTE: THIS PROJECT CONSIST OF THE ADDITION OF (2) 2ND TIERS ONLY



FRONT ELEV.

(ANGLES SHOWN FLAT FOR CLARITY)



LEFT ELEV.

NOTES:

1. Dimensions are in inches unless otherwise noted.
2. Desk Top & Side Leg Inlays: CHARCOAL MATRIX Laminate
3. Paint: All Metal Surfaces (Except Cabinets) - Opaque Beige Cabinets & Doors - Gothic Black Powder Coat
4. Console Enclosure: Comparable to NEMA 1 "Ventilated"
5. Monitor Power & Video Cables Provided by ImageVision. for consoles with monitor mounts only.

IMAGEVISION, INC.
 Modular Consoles
 PO Box F
 La Grange, TX 78945
 (888) 664-6762
 (979) 247-4068
 Fax: (979) 247-4062
<http://www.ImageVisionInc.com>

DWG. SCALE: NONE
 DATE: 2/22/07 BY: BT
 PAGE: 1 OF 1

TITLE: CITY STATIONERY, INC.
 CAGUAS, PR 00726
 AUTORIDAD de ENERGIA ELECTRICA
 DRAWING NUMBER: LG30875-1 A